

High Security Key & Document Storage

Knox[®] Cabinet 1300 Series securely stores facility access keys and vital emergency information. On site availability of hazardous material documents, key control, floor plans and evacuation data can also be included.

The cabinet is constructed of 10 gauge plate steel and is UL listed against physical attack. It is available in either a 5" or 7" depth. This versatile, 100% welded cabinet stores documents, up to 231 keys, or a combination of keys and documents.

Several lock options are available including a single lock, a sub-mastered lock or dual lock that can be keyed to work with other Knox Rapid Entry devices. Another option is a combination lock.

The 1300 Series is ideal for on site availability of emergency information and master keys at high-rise buildings and large complexes. The cabinet meets government requirements for storage of MSDS (Material Safety Data Sheets), pre fire plans, floor plans and building evacuation instructions.

Features and Benefits

- Immediate access to vital documents
- Secure building key storage
- Drill and attack resistant construction
- High security locking system
- Optional alarm tamper switches
- Dual lock configuration



Ordering Specifications

In order to ensure procurement and delivery of the 1300 Series cabinet, it is suggested that the following specification paragraph to be used:

Cabinet. Knox, heavy-duty UL listed, surface mount with/without UL listed alarm tamper switches. 10 gauge plate steel housing, 100% welded. Door: 10 gauge steel with added 1/4" steel front guard plate, lock protecting hardplate, 1" security overlap, all welded deadbar protected full length hinge, 7-point latchbar interlock. Lock shall be UL listed. Lock shall have 1/8" stainless steel dust cover with tamper seal mounting capability.

Exterior Dimensions: 18"H x 14-1/2"W x 5" or 7"D.

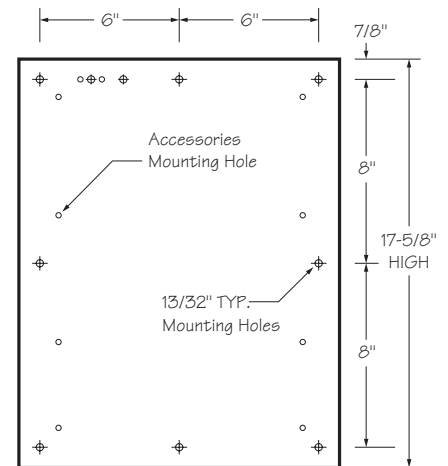
Lock: UL Listed. Double-action rotating tumblers and hardened steel pins, accessed by a bias cut key

Finish: Light grey weather resistant TGIC polyester powder coat with zinc phosphate undercoat

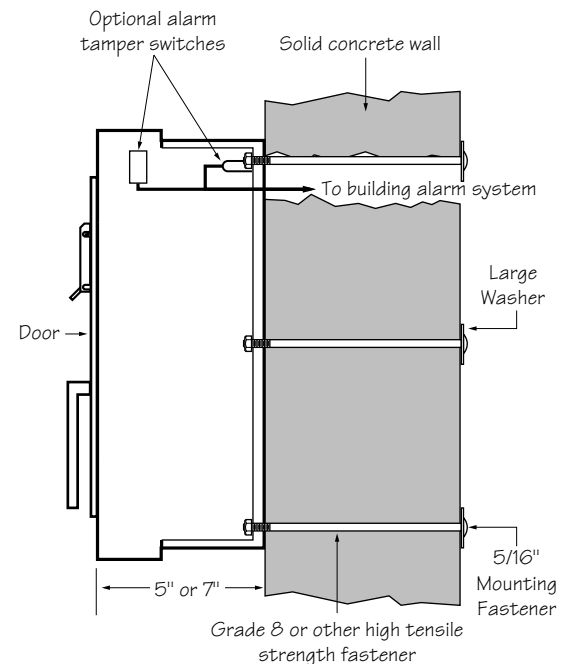
P/N: 1300 Series Knox Cabinet, (mfr's cat. ID).

Mfr's Name: **KNOX COMPANY**

- Size:** 18"H x 14-1/2"W x 5" or 7"D
(Handle extends 1-7/8" from front of cabinet)
- Weight:** 65 lbs.
- Finish:** Weather resistant TGIC polyester powder coat with zinc phosphate undercoat
- Color:** Light grey
- Material:** Housing: 10 gauge plate steel
Door: 10 gauge plate steel with 1" security overlap, fully welded hinge with deadbar, full 7 point latchbar interlock, lock protecting hardplate
- Features:** 5" or 7" depth for ample storage, welded corner overlaps, deadbar protected full length hinge
- Lock:** Medeco UL[®] listed with double-action rotating tumblers and hardened steel pins accessed by a bias cut key; 1/8" stainless steel dust cover with tamper seal capability
- Options:** Alarm tamper switches, dual entry locks (either key opens cabinet or both keys required to open cabinet) combination lock, submastered lock, key hook panels to 231 keys (when no documentation is stored)



Model 1300 Mounting Holes Diagram



1300 Series Mounting Illustration

Knox[®] Rapid Entry System

The Knox Company manufactures a complete line of high security products including Knox-Box key boxes, key vaults, cabinets, key switches, padlocks, locking FDC caps, plugs and electronic master key security systems. For more information or technical assistance, please call Customer Service at 1-800-552-5669.